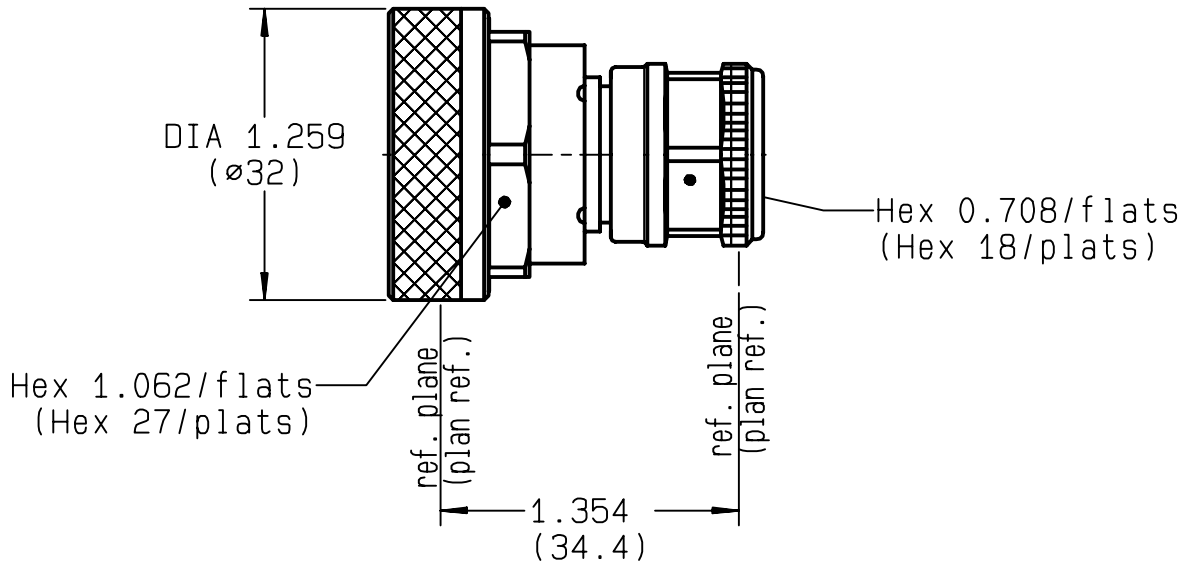


N MALE - 7/16 MALE STRAIGHT ADAPTER

R191.721.000
SERIES ADAPT



NOMINAL IMPEDANCE	50 Ω
FREQUENCY RANGE	0-7.5 GHz
TEMPERATURE RATING	-55/+155 °C
V.S.W.R	1.12 + 0 x F(GHz)Maxi
RF INSERTION LOSS	0.048 √F(GHz) dB Maxi
VOLTAGE RATING	1400 Veff Maxi
DIELECTRIC WITHSTANDING VOLTAGE	2500 Veff Mini
INSULATION RESISTANCE	5000 MΩMini
HERMETIC SEAL	NA Atm.cm ³ /s
LEAKAGE (pressurized only)	NA
MECHANICAL DURABILITY	500 Cycles
WEIGHT	94.3 gr
SPECIFICATION	

CABLES :	
OTHERS CHARACTERISTICS	ROS a 3GHz 1.03 maxi
CABLE RETENTION	NA N Mini
CENTER CONTACT RETENTION	
Axial force - mating end	68 N Mini
Axial force - opposite end	68 N Mini
Torque	NA cm.N Mini
RECOMMENDED TORQUES	
Mating	3000 cm.N
Panel nut	NA cm.N
Clamp nut	NA cm.N

CONNECTOR PARTS	MATERIALS	FINISH	(all values are given) in micrometers
BODY	BRASS	BBR 0.5 OVER SILVER 3	
OUTER CONTACT	BRASS	SILVER 5 OVER COPPER 0.5	
CENTER CONTACT	BERYLLIUM COPPER	SILVER 5 OVER COPPER 0.5	
INSULATOR	PTFE	-	
GASKET	SILICONE RUBBER	-	
OTHERS PIECES	BRASS	BBR 2	

ISSUE	CREATION DATE	FILE PART-NUMBER
0204C00	18/05/2094	DM-9901-001



RADIALL®

GAUTIER

The information given here is subject to change without notice.
 Design changes may be in order to improve the product .

Connect to the future